



2009 *International Application Guide* • Volume 8 • Issue 2 • 2-18-09



UVL600 UVL SERIES™

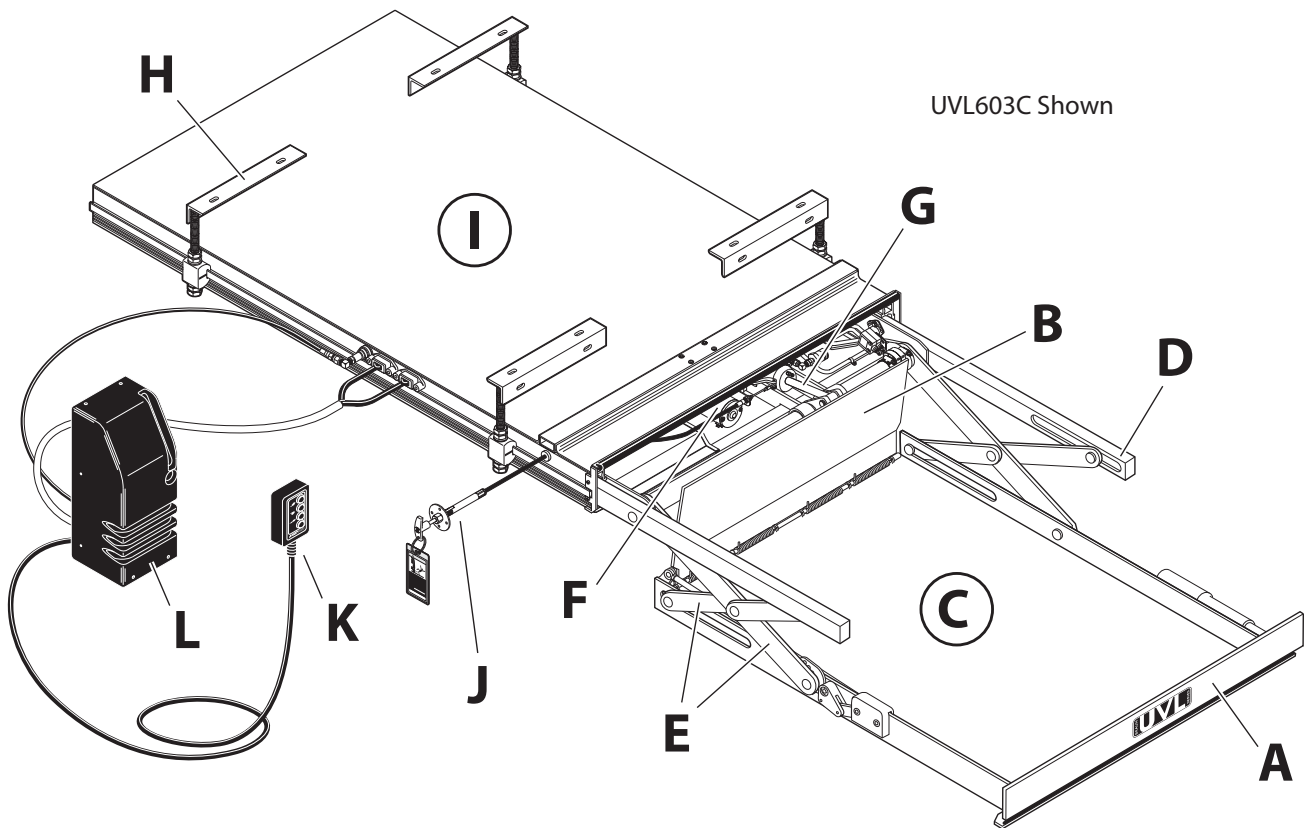
# UVL600 UVL Series™ Models

## UVL601C

Useable Platform:  
28.38" x 43"  
(72 cm x 109 cm)

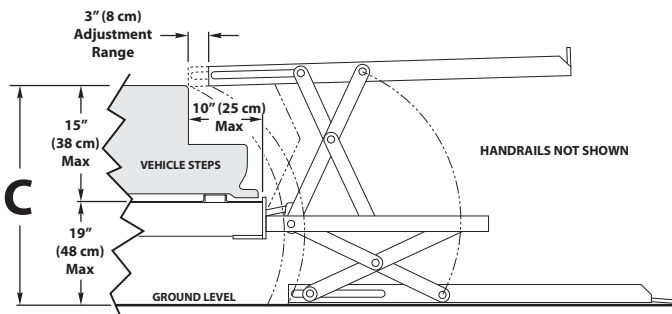
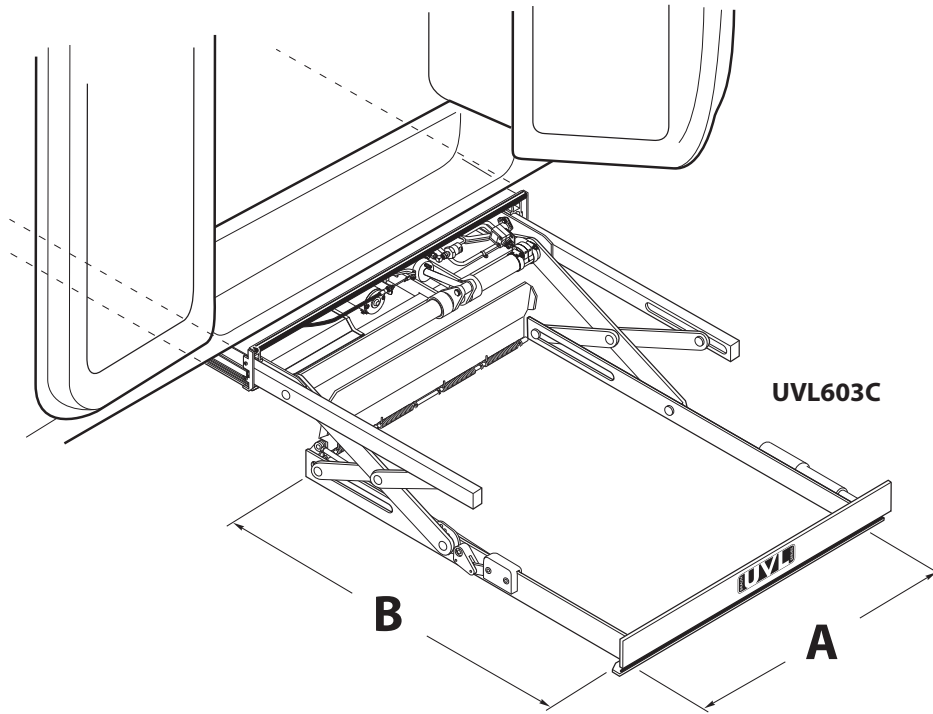
## UVL603C

Useable Platform:  
30" x 48"  
(76 cm x 122 cm)

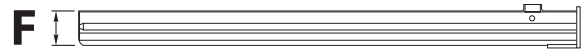


<b>A</b> - Automatic Outboard Barrier	<b>G</b> - Hydraulic Cylinder
<b>B</b> - Inboard Barrier	<b>H</b> - Lift Mounting Brackets (4)
<b>C</b> - Platform	<b>I</b> - Lift Housing (Cassette)
<b>D</b> - Rolling Horizontal Arms (2)	<b>J</b> - Platform Cable-Activated Manual Release
<b>E</b> - Lifting Arms (4)	<b>K</b> - Hand-Held Control Box
<b>F</b> - Chain Drive Motor	<b>L</b> - Pump Module

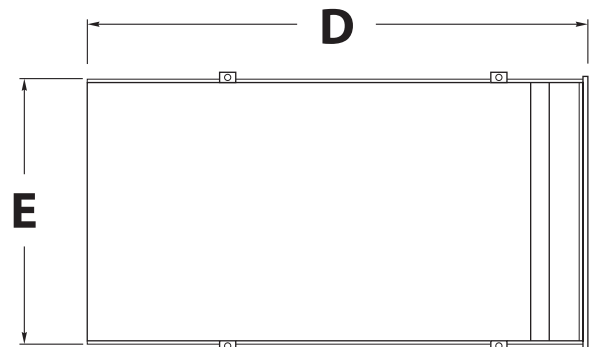
# UVL600 UVL Series™ Dimensions



**SIDE VIEW - TRAVEL LIMITS**



**SIDE VIEW**



**TOP VIEW**



**FRONT VIEW**

All dimensions are for reference only.

UVL600 UVL Series™			A	B	C	D	E	F	G
Lift Model Number	Operation		Clear Platform Width	Clear Platform Length	Max. Floor to Ground	Cassette Length	Cassette Width	Cassette Height	Min. Clear Door Opening Width
	User	Attdt.							
UVL601C	X	X	28.38"(72cm)	43"(109cm)	34"(86cm)	62"(157cm)	38"(97cm)	4.65"(12cm)	38"(97cm)
UVL603C	X	X	30"(76cm)	48"(122cm)	34"(86cm)	67"(170cm)	40.5"(103cm)	4.65"(12cm)	40.5"(103cm)

# UVL600 UVL Series™ Specifications

**General Function:** Electrohydraulic, power up/gravity down operation, power in/out

**Operation:** Hydraulic pump with one lifting cylinder

**Control:** hand-held control, and optional remote control

**Hydraulic:** Pressure Max. 3,249 psi (224 bar), Fluid is Hydraulic/HFA Aviation, Oil reservoir is .25 gal (.95 L)

**Construction:** Aluminum Housing with Steel inner structure with powder coat finish

**Lift Weight:** UVL601C, 245 lbs (111 kg) - UVL603C, 269 lbs (122 kg)

**Lifting Capacity:** 750 lbs (340 kg)

**Operating Temperature:** 19°F to 149°F (-7°C to 65°C)

**Power Supply:** 12V DC (24V DC available on 603C)

**Current Consumption:** Max. 120A (12V) - Max. 60A (24V - 603C)



# UVL600 UVL Series™ Accessories



## 73940-1S Remote Control System

Includes "Y" adaptor harness.  
Controls all lift functions as well as  
door operators (if so equipped)  
(North American Frequency)

## 86483 Replacement Transmitter for Remote Control

## 86482 Keychain Transmitter for Remote Control



## 73944 "Y" Adaptor Harness

Required when using an additional  
hand-held pendant control as a third  
station control (73946A-1)

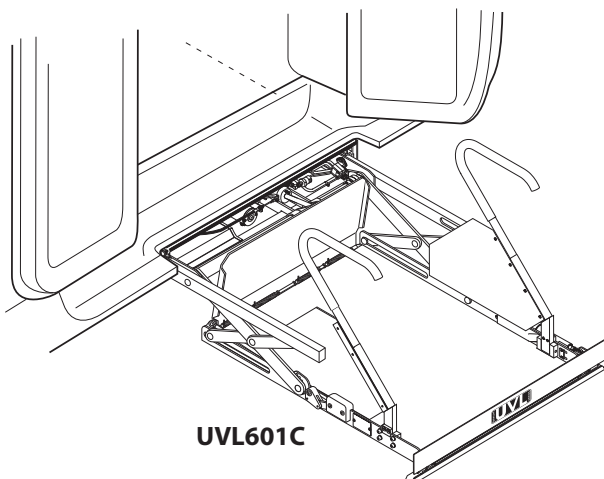
## 73948A "Y" Adaptor Harness

Allows outside switch  
installation - by others

## 27895A

### Theshold Warning Kit

With the lift away from floor level, an alarm will sound when passengers approach the doorway.  
May be required for state/agency funded lift purchases.



## 35330K

### Handrail Kit

Folding Handrail Kit for UVL601C

UVL601C

## UVL600 *UVL Series*™ Features



- fully automatic lift, operated by the wheelchair occupant or an attendant
- mounts underneath the vehicle, leaving the doorway completely unobstructed, providing a full window view and greater interior space
- aluminum housing is fully enclosed to be weather tight
- features a power pack remotely-mounted hydraulic pump with power up/gravity down operation
- handheld 4-button pendant control operates all lift and door functions
- optional operation by remote control
- side door application only
- miscellaneous platform widths and lengths
- slip-resistant platform
- electrically activated outboard barrier engages before platform leaves ground
- mechanical inboard barrier (IB)
- integrated back-up pump
- designed to be used with automatic door operators
- diagnostic system for easy troubleshooting
- durable high-gloss powder coated finish



[www.braunability.com/international](http://www.braunability.com/international)

**ISO 9001:2000**

631 West 11th Street, Winamac, IN 46996, USA Phone: +1 574 946 6153 Fax: +1 574 946 4670