



2009 *International Application Guide* • Volume 8 • Issue 1 • 1-1-09



CHAIR TOPPER™

## Chair Topper™ Models

### For Left Side Installations

#### L710X

**L710X-E** (Chair Topper without the Mondial Mounting System. Includes European "U" Bolt Fitting and Hardware)



### For Right Side Installations

#### L710XR

**L710XR-E** (Chair Topper without the Mondial Mounting System. Includes European "U" Bolt Fitting and Hardware)

- The Chair Topper features an adjustment system that will accommodate a range of wheelchair "folded widths".
- Some wheelchair models are not compatible with the Chair Topper, and will not fit. Make certain that your chair will fit before purchasing the Chair Topper.
- Please note that wheelchair dimensions will vary among different manufacturers.
- The Chair Topper is shipped with two mounting systems: a clamp-on "roof rack" system (Mondial) as well as a more permanent mounting system. To delete the Mondial system from your Chair Topper, you must designate -E at the end of the model number. Contact your area sales manager to determine which system will work best for your particular application.

**Please Note:** In the International market many Dealers have found that the Mondial mounting system does not have applications for vehicles in their market. Dealers have substituted other systems such as the Thule which fits many European vehicles

**16021A Chain Extension Kit** - For Roof Lines higher than 58" (147 cm) and up to 94" (239 cm)

**29586A Mounting Kit** for L710X, L710XR, L710X-E & L710XR-E

This mounting kit is used in conjunction with the permanent mounting system to move mounting feet further from the center of the roof.



# Chair Topper™ Specifications

**Control:** single rocker switch in hand-held control box

**Construction:** aluminum frame with ABS plastic base and shell

**Unit Weight:** 123 lbs (56 kg)

**Lifting Capacity:** 45 lbs (20 kg)

**Motors:** 12V DC reversible automotive type

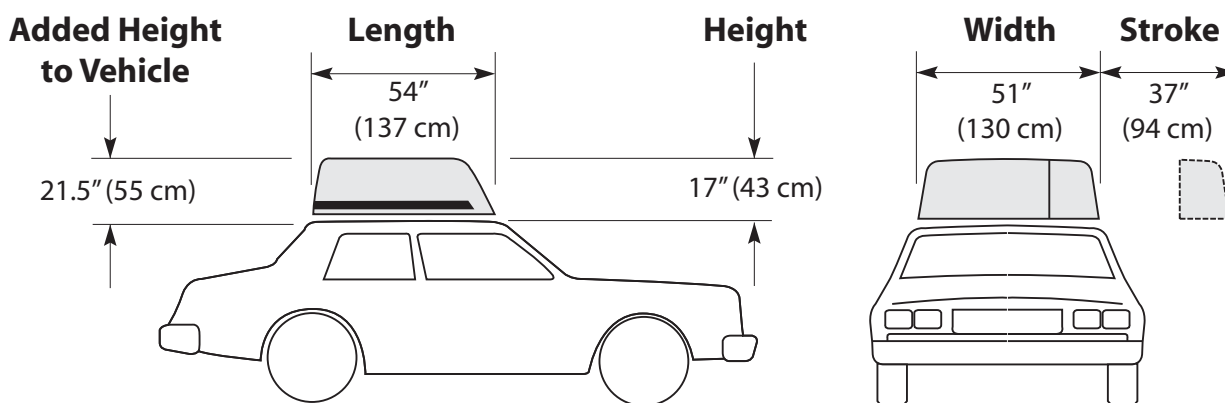
**Power Supply:** 12V DC

**Current Consumption:** Max. 30A (12V)

**Cycle Time:** 30 seconds (approximately)



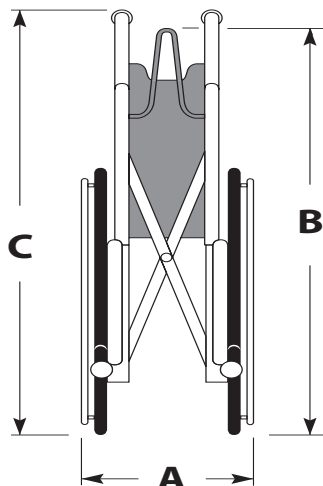
# Chair Topper™ Dimensions



All dimensions are for reference only.

# Chair Dimensions

All dimensions are for reference only.



DIMENSION "A" MAXIMUM "FOLDED" WIDTH	DIMENSION "B" MAXIMUM "APEX" HEIGHT	DIMENSION "C" MAXIMUM "HANDLE" HEIGHT
9" (23 cm)	34 1/2" (88 cm)	40" (102 cm)
10" (25 cm)	34 5/32" (87 cm)	39 11/32" (100 cm)
11" (28 cm)	33 13/16" (86 cm)	38 11/16" (98 cm)
12" (30 cm)	33 7/16" (85 cm)	38 1/16" (97 cm)
13" (33 cm)	33 3/32" (84 cm)	37 13/32" (95 cm)
14" (36 cm)	32 3/4" (83 cm)	36 3/4" (93 cm)

MAXIMUM WHEELCHAIR WEIGHT: 45 lbs (20 kg)  
 MAXIMUM WHEELCHAIR DEPTH (back of rear wheels to tip of footrests): 44.5" (113 cm)

## Chair Topper™ Features



- car-top carrier of modular aluminum frame construction with a fully enclosed (top and bottom) plastic shell
- stores and folds automatically any conventionally folding wheelchair inside a water tight plastic cover that mounts to the top of most vehicles
- power is provided by the vehicle's battery and a reversible automotive-type motor
- single rocker switch located in a user-friendly hand-held control box operates the lifting, folding and storing of the wheelchair
- complete operation takes only 30 seconds
- available in driver- and passenger-side models
- accommodates a range of wheelchairs folded widths
- lifting capacity is 45 lbs (20 kg)
- manual release located inside an easily-accessible locked door
- framework is powder coated with a durable weatherproof finish
- the plastic shell can be painted to match the vehicle's exterior



[www.braunability.com/international](http://www.braunability.com/international)

**ISO 9001:2000**

631 West 11th Street, Winamac, IN 46996, USA Phone: +1 574 946 6153 Fax: +1 574 946 4670